



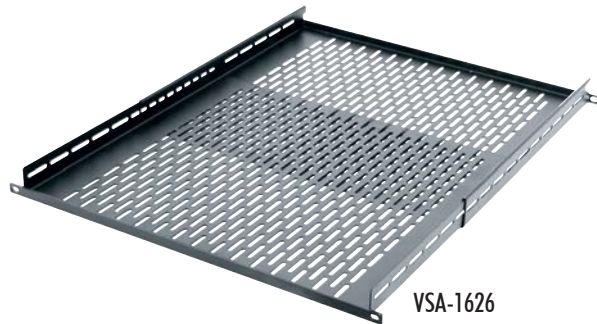
Middle Atlantic Products, Inc.

middleatlantic.com

The versatile, heavy-duty VSA shelf telescopes back to rear rackrail to accommodate deeper, heavier components

Features

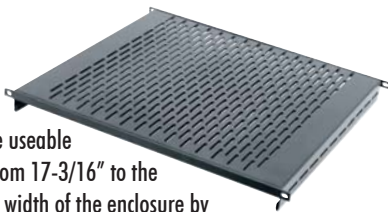
- Entire shelf surface telescopes back to reach rear rackrail
- Four-point mounting system provides a 500 lb. weight capacity
- Useable width increases to the useable width of the enclosure when the shelf is flipped
- Shelf requires less open rackspace to mount than other four-point mount shelves
- Fully vented shelf enhances airflow beneath equipment
- Adjustable depth from 16" to 44", depending on model



VSA-1626



VSA-2744



Increase useable width from 17-3/16" to the useable width of the enclosure by flipping the VSA shelf

Architects' and Engineers' Specifications

Adjustable telescoping rackshelf shall be Middle Atlantic Products model # VSA-__ (refer to chart). Shelf shall offer a telescoping depth of __ (refer to chart). Overall width shall be 19" (483 mm). Useable width shall increase from 17.19" (437 mm) to the useable width of the enclosure when the shelf is flipped before being installed. Hemmed 16-gauge steel construction provides a 500 lb. weight capacity. Included support brace shall prevent deflection across the shelf. Shelf shall be vented for superior equipment cooling. Slots provided for anchoring equipment with straps up to 1.25" (32 mm) wide. Racking height shall be 1.5" (38 mm), or less than one rackspace. Shelf shall be finished in a durable black powder coat. Adjustable telescoping rackshelf shall be warranted to be free from defects in material or workmanship under normal use and conditions for the lifetime of the product.

customizable specification clips available at middleatlantic.com

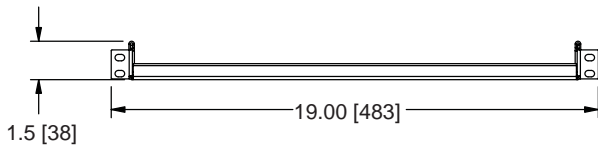
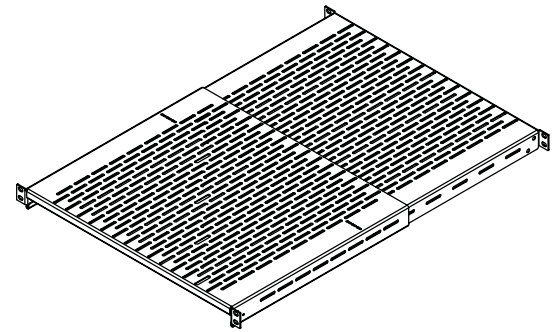
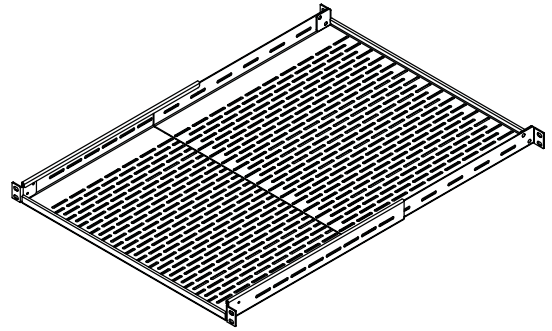
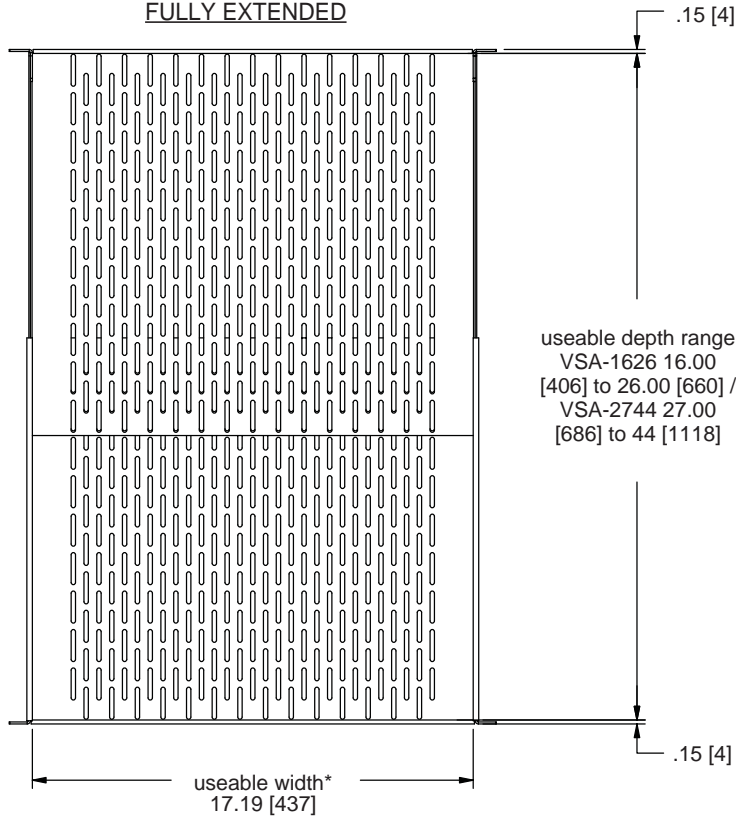
Engineered Mounting Solutions

US: New Jersey ■ California ■ Illinois ■ Voice: 973-839-1011 Fax: 973-839-1976 ■ middleatlantic.com
Canada: Ontario ■ British Columbia ■ Voice: 613-836-2501 Fax: 613-836-2690 ■ middleatlantic.com

VSA basic dimensions

All dimensions in inches unless otherwise noted [All dimensions in brackets are in millimeters]

**TOP VIEW
FULLY EXTENDED**



FRONT VIEW



**SIDE VIEW
FULLY CLOSED**

* when flipped, the useable width of the VSA increases to the useable width of the enclosure

Part #	Racking Height	Depth	Weight Capacity
VSA-1626	1.50 [38] (<1 space)	16.00 [406] - 26.00 [660]	500 lbs. [227 kg]
VSA-2744	1.50 [38] (<1 space)	27.00 [686] - 44.00 [1118]	500 lbs. [227 kg]